

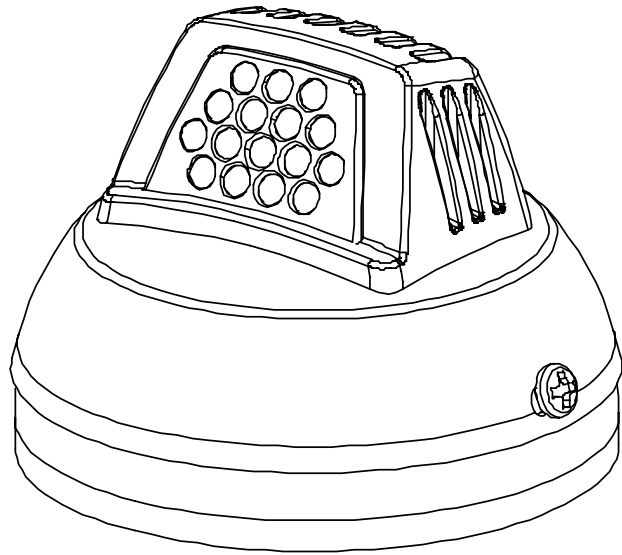
Setup Guide

Service and Warranty

If your IR Illuminator is to be returned to Seon Design for service, please call toll free 1-877-630-7366, or 604-941-0880, provide the model and/or serial number of your unit, and ask for a Return Authorization (RA) number. An RA number allows the Service Technicians to better track your product when it comes in for service. Please show the RA number on the outside of the package. **ANY PRODUCT SENT TO SEON DESIGN WITHOUT AN RA NUMBER MAY BE REFUSED.**

Please refer to the Warranty form provided with your product to review the terms of warranty service, contact and shipping information, as well as other important issues regarding the service and operation of your product.

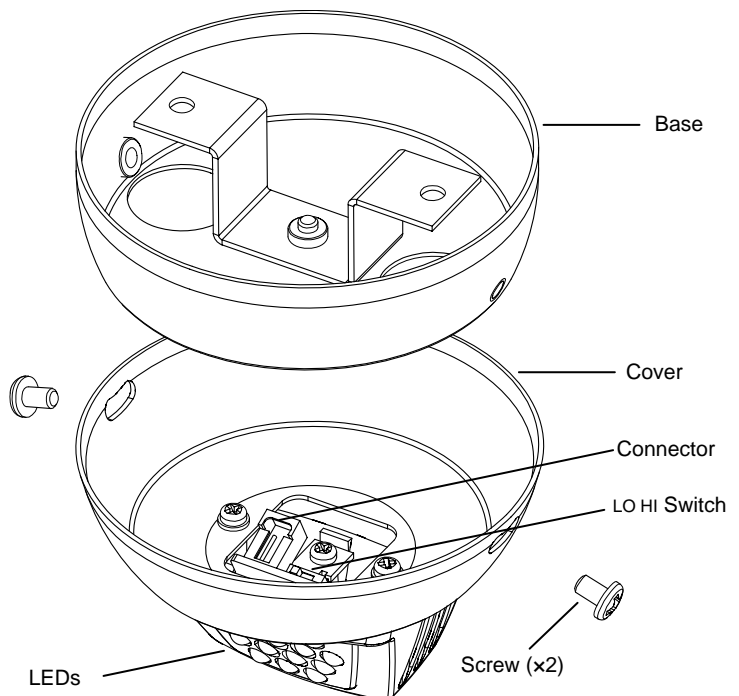
Information in this Guide is subject to change without notice.
© April 2007 Seon Design Inc. All rights reserved.
www.seon.com Printed in Canada
Document Part Number: 700-0053 R001



1 Installation

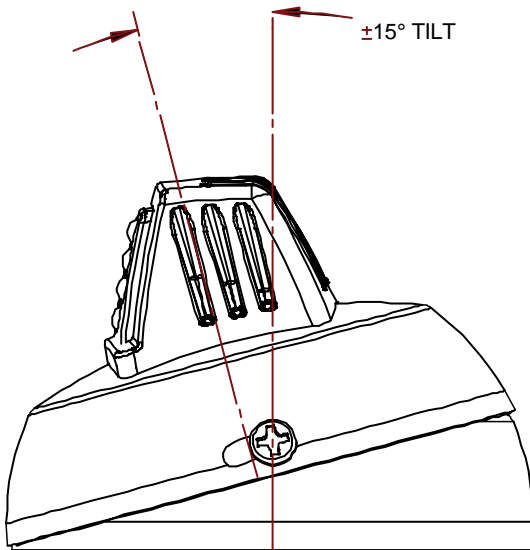
These installation instructions apply to the IR Illuminator models RG-IRW (wide lenses) and RG-IRN (narrow lenses) that mounts to either a wall or ceiling.

- 1 Use a Phillips screwdriver to remove the two screws that secure the cover to the base.
- 2 Use the base as a template to drill mounting holes on the mounting surface. Drill a hole in the mounting surface for the harness to pass through.
- 3 Run the harness through a slot on the mounting base and insert the plug into the connector.
- 4 Set the LO HI switch to the desired setting.
Choose LO to set the LED illumination to half-power when the camera is close to the viewing area.
Choose HI to set the LED illumination to full-power when the camera is further away from the viewing area.
- 5 Use the two #10 × ¾ screws and washers provided or other appropriate fasteners to attach the IR illuminator to the mounting surface.
- 6 Make sure the LED illuminators are facing the desired direction.
- 7 Reattach the cover with the screws provided.
- 8 Connect the other end of the harness to the power out/auxiliary power jack on the DVR.



2 Operation

The IR Illuminator powers from 12 VDC. The only adjustment on the IR illuminator is the LO HI switch which is accessible when the cover is removed. The cover has a $\pm 15^\circ$ tilt.



4 Recommended Camera Lenses and IR Module Pairings

Lens Size	Lens Viewing Angles (h)	Recommended IR Module	Maximum Range
03	90°	Wide	30 ft/10 m
04	74°	Wide	30 ft/10 m
06	42°	Wide	30 ft/10 m
08	32°	Wide	50 ft/16 m
12	22°	Narrow	50 ft/16 m
16	15°	Narrow	50 ft/16 m

3 Specifications: RG-IRW and RG-IRN

IR Enclosure (Module and Base)	
IR module material	Cast Zinc, painted finish
IR base material	Steel
IR module size H × W × D	1.1 × 2.3 × 1.7 in 28 × 58 × 42 mm
IR Illuminator	
Height	2.68 in (68 mm)
Diameter	3.66 in (93 mm)
Weight	135 g. (4.8 oz)
Electrical	
Voltage range	11 to 18 VDC
Current consumption	210 mA at 12 VDC (full power)
	110 mA at 12 VDC (half power)
Power consumption	2.5 W at 12 VDC (full power)
	1.3 W at 12 VDC (half power)
Transient protection	1.5 kW
Wiring harness	20 foot and 50 foot harness. Custom lengths are available by contacting your sales representative at Seon.
Performance	
Illuminators	16 high efficiency LEDs
Wavelength	875 nm
Power settings	Selectable full or half-power